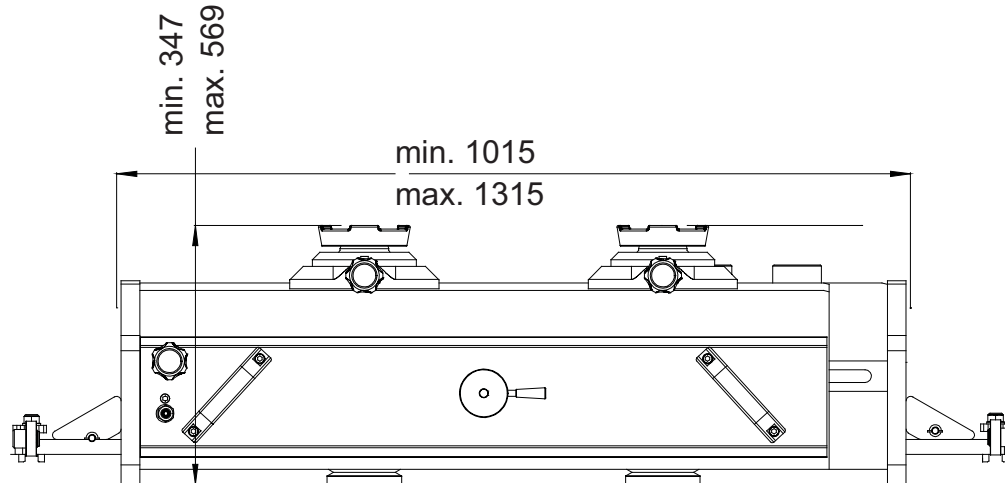


Heavy jacking beams

JB 70 - JB 120 - JB160 - JB200



- Type: JB 70, JB 120, JB 160, JB 200
- Capacities: 7.000, 12.000, 16.000, 20.000 kg
- Lifting system: Air-Hydraulic
- Min. height: 347 mm
- Max. height: 569 mm
- Lifting height: 222 mm

